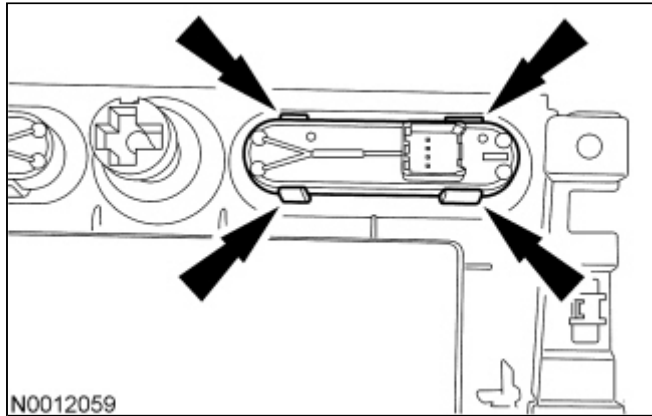


Message Center Switch

Removal and Installation

1. Remove the instrument panel center finish panel. For additional information, refer to [Section 501-12](#).
2. Press the retaining tabs and remove the message center switches.



3. To install, reverse the removal procedure.
-